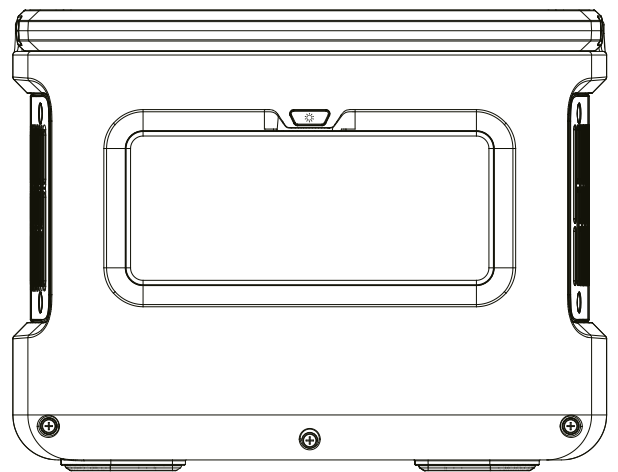
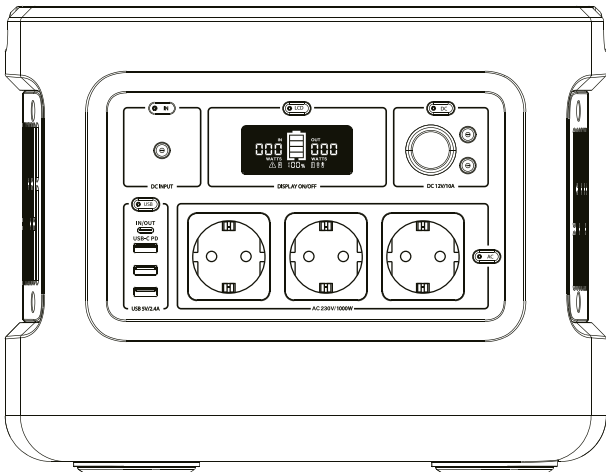
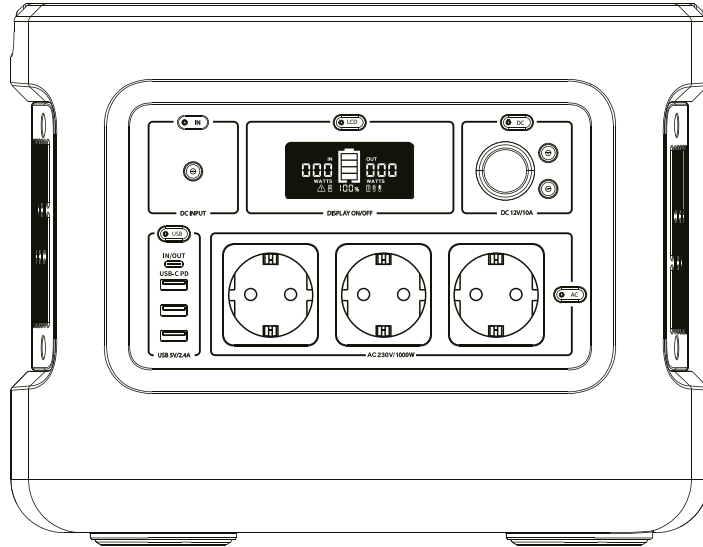


USER MANUAL



CHARGE FIRST! Before using your new power station, plug it into a suitable power outlet until it is fully charged. Then you can start your exciting journey with it.

FAQs

1. What type of battery is in an Power Station ?

Contains a battery pack which consists of an array of cylindrical Lithium-ion battery cells with high energy density.

2. How do I know if my Power Station is charged?

To Check the charge level of the refer to the LCD battery Display.

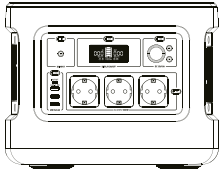
3. Can I charge the while supplying power at the same time?

The power station could power the devices while recharging itself.

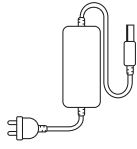
4. How do I know if my device will work with the ?

You will need to check the amount of power your device requires. This may require some research on your end. An online search or examining the user guide for your device should suffice. To be compatible with the you should use devices that require less than 1000W.

WHAT'S IN THE BOX



Power Station



AC Adapter & AC Cable
(2 Parts)



User Manual

CHARGING

This is some common devices (within 1000W)

Car Fridge (60W) Around 13.8 Hours	Phone (4000mAh) Around 70 Recharges	Refrigerator (120W) Around 6.9 Hours
Projector (100W) Around 8.3 Hours	Drone (40W) Around 20 Recharges	Rice cooker (330W) Around 2.5 Hours
Camping light (125W) Around 6.6 Hours	Photography lights (300W) Around 2.8 Hours	Electric fan (45W) Around 18.4 Hours
Macbook 12 Around 13 Recharges	Camera (16W) Around 51 Recharges	

Rechargement

Before using or storage, plug your Power Station into the wall plug until it is fully charged. If the LCD shows less than 20% capacity, plug it into a power source, like an AC outlet or a solar panel, as soon as possible.

There are four ways to recharge your Power Station:

DC 5.5*2.5mm Input

Wall Charger (200W) Around 7,5 Hours	Car Charger (120W) Around 12,5 Hours	100W Solar Panels(Optional) Around 17,5 Hours (Depending on Weather)
---	---	--

Type-C Input

Type-C Wall Charger (PD 100W) Around 14,8 Hours

DC input and Type-C input Simultaneously (300W)

Around 5 hours

SPECIFICATIONS

Output		
AC output	Rated voltage	230V
	Rated power	1000W
	Peak power	2000W
	Frequency	50Hz
DC*2 Output	Rated voltage	12V
	Rated current	0-10A
DC Output Ciger Socket	Rated voltage	13.3V
	Rated current	10A
USB-A*3 Output	Rated voltage	5V
	Rated current	2.4A
USB-C*1 Output	PD: 100W Max	5V3A, 9V3A, 12V3A, 15V3A, 20V5A
Floodlight	mlm	200 Low / 800 Middle / 1400 high
Input		
DC Input	Rated voltage	12V-24V(12V 10A)
	Rated power	Max 200W
USB-C*1 Input	PD: 100W Max	5V3A, 9V3A, 12V3A, 15V3A, 20V5A
DC input and USB-C*1 input at the same time to recharge the power station, the input power can be up to 300W max		
Battery		
Rated capacity	1036.8Wh	
Battery cell type	Lithium-ion	
General		
Working environment condition	Relative humidity: 20%-90%	
	Temperature: 32-104°F (-10-40°C)	
Size	332.5*245*255mm±5mm	

ATTENTION

Not permitted on aircrafts.	To preserve the battery lifespan, please use and recharge at least once every 6 months.
Use original or certified charger and cables.	Avoid extreme temperature
Avoid Dropping	Do not disassemble
It's not waterproof, do not expose to liquids.	Please dispose of batteries and electronic goods in accordance with local regulations.

DISCLAIMER

DISCLAIMER

Our company cannot be held liable for damages caused by fire, earthquake, use by a third party, other accidents, intentional misconduct on the part of the customer, abuse or other abnormal conditions.

Do not repair any damage to the AC plug or power supply on your own.

The warranty covers all terms and conditions of the warranty. Contents that are not specified in the warranty terms and conditions are beyond our responsibility.

Our company assumes no liability for damaged caused by incorrect use or non-compliance with this instruction manual.

Intended use: The power station unit is intended as a power supply for electronic devices with a maximum power consumption of 1000W. Our product is not suitable to be used with equipment that relates to one's own personal safety and relies heavily on electricity, such as medical devices, equipment for nuclear facilities, the manufacture of air and spacecraft, etc. We therefore assume no liability for accidents involving personal safety, fires, or machine failures, caused by using our product with the aforementioned devices.

WARRANTY

Limited Warranty

Our company warrants to the original consumer purchaser that the our company product will be free from defects in workmanship and material under normal consumer use during the applicable warranty period identified in the "Warranty Period" section below, subject to the exclusions set forth below. This warranty statement sets forth our total and exclusive warranty obligation. We will not assume, nor authorize any person to assume for us, any other liability in connection with the sale of our products.

Warranty Period

The warranty period is 12 months. In each case, the warranty period is measured starting on the date of purchase by the original consumer purchaser. The sales receipt from the first consumer purchase, or other reasonable documentary proof, is required in order to establish the start date of the warranty period.

Remedy

Our company will repair or replace (at our option) any our company product that fails to operate during the applicable warranty period due to defect in workmanship or material. If a valid claim is made during the applicable period, our company, at its option, will either (1) replace the product, or (2) exchange the product with a product that is of equal value. A replacement product assumes the remaining warranty of the original product or 180 days from the date of replacement, whichever is greater. Customer is responsible for the return shipping costs.

Limited to Original Consumer Buyer

The warranty on our product is limited to the original consumer purchaser and to any subsequent owner.

Exclusions

Our warranty does not apply to (i) any product that is misused, abused, modified, damaged by accident, or used for anything other than normal consumer use as authorized in our current product literature, or (ii) any product purchased through an online auction house. Our warranty does not apply to the battery cell unless the battery cell is fully charged by you within seven days after you purchase the product and at least every 6 months thereafter.

How to Receive Service

To obtain warranty service, contact our customer service team

The information contained herein is subject to change without notice. The only warranties for our company products and services are set forth in the warranty statements accompanying such products and services. Our company shall not be liable for technical or editorial errors or omissions contained herein. This user guide describes features that are common to most models.

POWER

LCD Screen Button

Press the LCD button to check the remaining battery.

AC Button/DC 12V Button/USB Button

Turn on each output by pressing its power button before charging your device as it does not output automatically. Turn off each output by pressing its power button as it does not turn off automatically or it will drain the battery out.

SAFETY INSTRUCTIONS

SAFETY INSTRUCTIONS

Read the following instructions to ensure safe usage



DANGER

Noncompliance may very likely lead to serious injury or death

DO NOT disassemble, repair or modify the unit or the battery.

DO NOT place the unit close to or in a fire or expose it to heat. Keep out of direct sunlight.

DO NOT charge, use or store the unit in a bathroom or in an area exposed to rain or moisture

Only use the output socket to power external devices. Never connect the output to mains power under any circumstances.

DO NOT touch the unit or the plug-in points if your hands are wet.

DO NOT connect any metallic objects to the AC input or output.

DO NOT rub your eyes if fluid from inside the unit should get in your eyes.

DO NOT use any inappropriate power cords.

DO NOT operate the unit above the specified input voltage.

DO NOT use the unit if it is not functioning correctly.

DO NOT move the unit if it is recharging or in use.

DO NOT put fingers or hands into the product.

DO NOT use a battery pack or appliance that is damaged or modified. Damaged or modified batteries may exhibit unpredictable behavior resulting in fire, explosion or risk of injury.

DO NOT disassemble the power pack, take it to a qualified service person when service or repair is required.

DO NOT disassemble the power pack, take it to a qualified service person when service or repair is required.

Incorrect reassembly may result in a risk of fire or electric shock.



WARNING

Noncompliance may lead to serious injury or death

Use and store the unit only in a clean and dry environment. DO NOT use and store in dusty and wet environment.

Check the unit prior to every use. DO NOT use the unit if it is damaged, broken.

DO NOT use the unit if the power cord is damaged or broken.

Keep the unit away from children. DO NOT let children use the power supply unit.

Keep this product away from pets.

DO NOT use or store the unit in an area or environment with high temperature.

Should fluid from inside of the unit come in contact with your skin or clothing, wash the affected areas with tap water.

In a storm, unplug the power cord from the socket.

DO NOT charge the unit via power supply systems that operate outside of 100-240V.

DO NOT place the unit on its side or upside down while in use or storage.

DO NOT use accessories for other usage.



WARNING- RISK OF EXPLOSIVE GASES

To reduce risk of battery explosion, follow these instructions and those published by battery manufacturer and manufacturer of any equipment you intend to use in vicinity of the battery. Review cautionary marking on these products and on engine.

LCD

Power Level Percentage

Check the battery level by pressing the display button before using. If battery is at a low level, charge first.

Power of Input & Output (W)

If the Power Station total output exceeds 1000W, it will automatically shut off. Please ensure the power consumption is less than 1000W, then press the power button.

Low & High Temperature Alarm

The can power your devices at temperature ranging from -10~40°C(14~104°F).

If your working temperature is outside this range, the may stop working.

Warning symbol

: Input overvoltage protection

The symbol flashes for 5 seconds and then turn off the input. When input overvoltage protection is released, the symbol will not display again.

: Output overload protection

The symbol flashes for 5 seconds and then turns off the output.

The symbol will not be displayed when the overload is removed.

: Lower Power Alarming

This symbol flashes to indicate that the product is in a low power state, power less than 3%.

: Low temperature alarming

When this symbol display, please stop charging or discharging this power station immediately to avoid damaging.

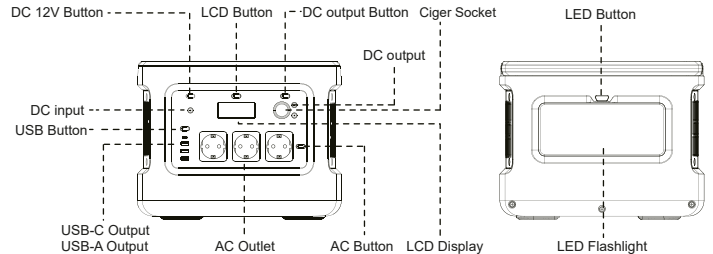
: High temperature alarming

When this symbol display, please stop charging or discharging this power station immediately to avoid damaging.

LED FLASHLIGHT

Short press the button: weak light - bright light - strong light - turn off cycle in turn.

Double click the button to turn on SOS function and press the button again to turn off the lighting.



PERSONAL PRECAUTIONS

- 1) NEVER smoke or allow a spark or flame in vicinity of battery
- 2) Be extra cautious to reduce risk of dropping a metal tool onto battery. It might spark or short-circuit battery or other electrical part that may cause explosion.
- 3) DO NOT expose a power pack to fire or excessive temperature. Exposure fire or temperature above 130°C may cause explosion.

CAUTION

Noncompliance may lead to injuries and /or property damage.

If rust, peculiar odors, overheating or other abnormal circumstances are observed, stop using the unit immediately and contact the dealer or our customer service center.

The unit complies with all legal requirements for transport of dangerous goods.

Make sure that the unit is properly secured when transporting it in a motor vehicle.

Only charge, use and store the unit within an ambient temperature of 0 to 40 (32 - 104F)

Switch the unit off immediately if it has accidentally fallen, was dropped or was exposed to vibrations.

Carefully read the instructions for the electric devices that you intend to connect to your power supply unit.

Make sure that the device you are connecting is switched off before you connect it.