

# Product Datasheet

## Module holder for balcony solar system

### Product Description

The module holder for balcony solar systems is made of high-quality aluminum and is increasing in popularity in the solar market due to its adjustable design. It allows adaptation to different solar module sizes and installation requirements.

The angle of the bracket can be adjusted to 30, 35, 40, 45 or 50 degrees. This allows installers to flexibly adapt the installation angle to local conditions. In addition, the module holder is able to withstand strong wind speeds and snow loads, which makes it versatile.

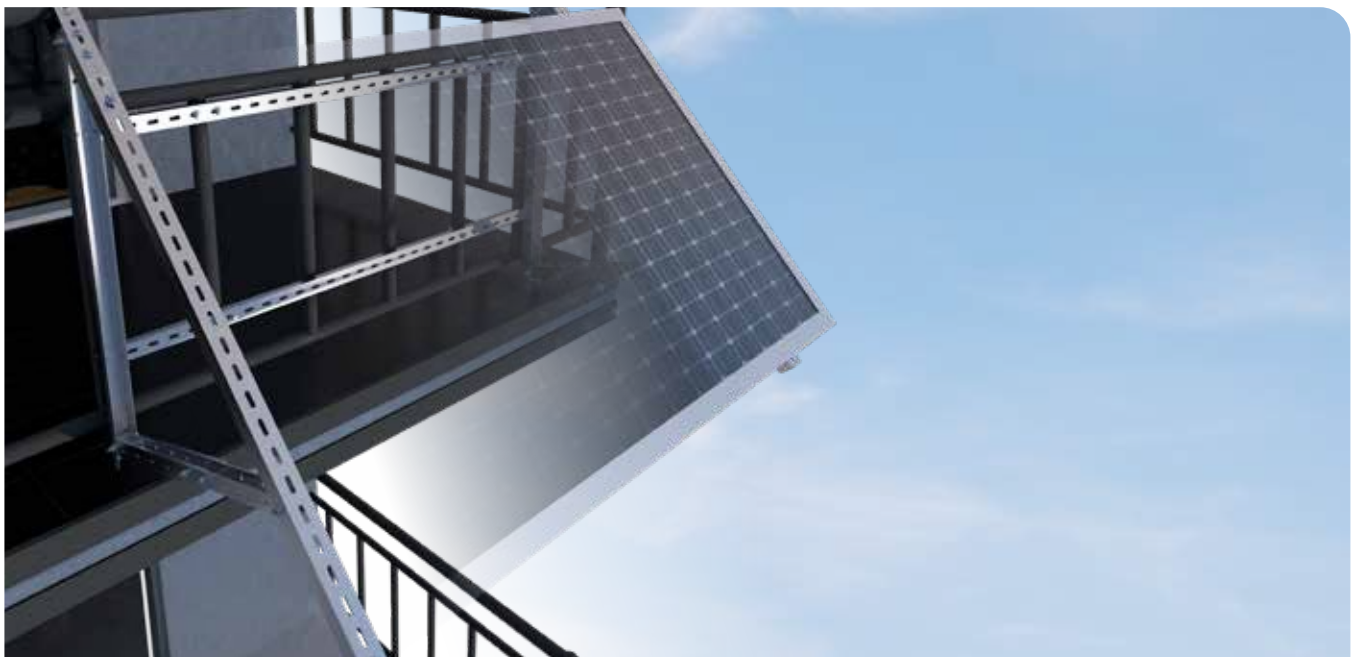


### Features

- Quick and easy to install
- Manually adjustable tilt angle for more power generation
- Low weight and attractive appearance

### Components

- 2 x Stainless steel hooks
- U-Bolts
- Solar panel holder
- Reinforcement rail



Application example

# Product Datasheet

## Module holder for balcony solar system

### Module holder for balcony solar system

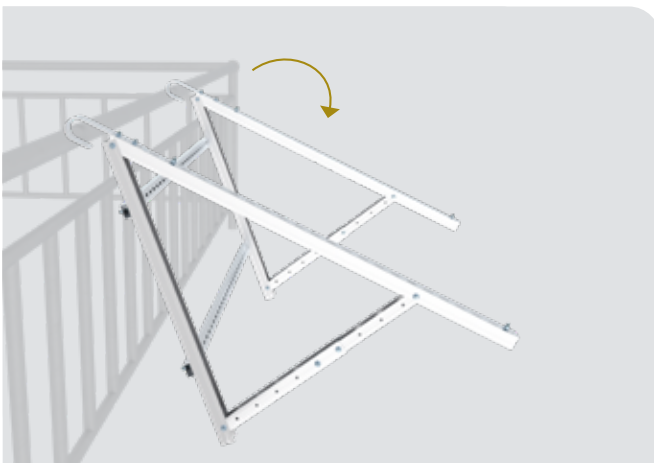
Art.-Nr.	Material	Solar Panel*			Adjustable angle range	Application	Maximum Wind Speed	Maximum. Snow Load	pcs.	VE
		Length [mm]	Width [mm]	Strength [mm]						
124000	Al6005-T5.SUS304	max. 2279	834-1134	30-50	30-50°	Balcony, Wall	180 km/h	1.5 kN/m <sup>2</sup>	1	1

\* Check in advance whether the solar panel can be mounted on the holder

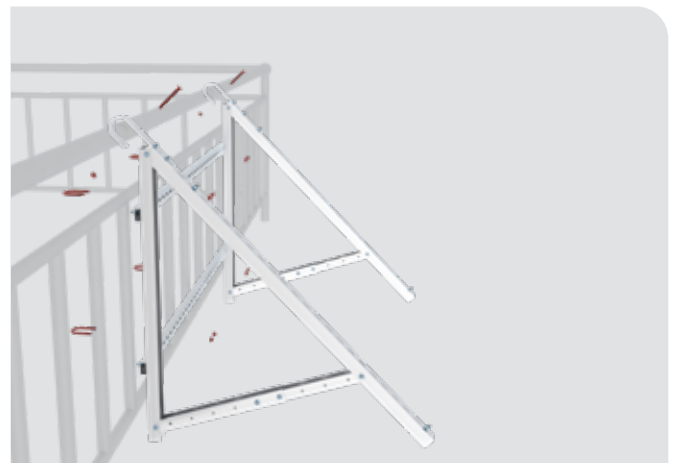
### Exploded view



### Assembly Instructions



Hang the pre-assembled balcony bracket on the railing.



Fasten the bracket using screws and U-bolt brackets.

# Product Datasheet

## Module holder for balcony solar system

### Technical Drawing

